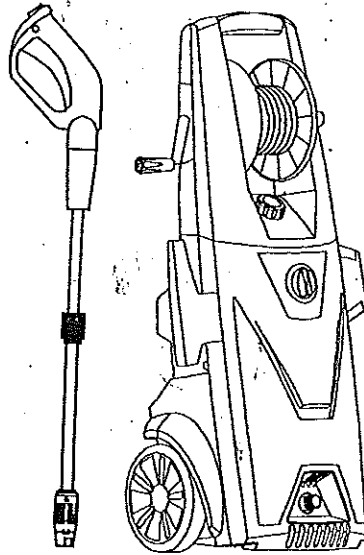


High Pressure Cleaner

Operator Manual



Original instructions

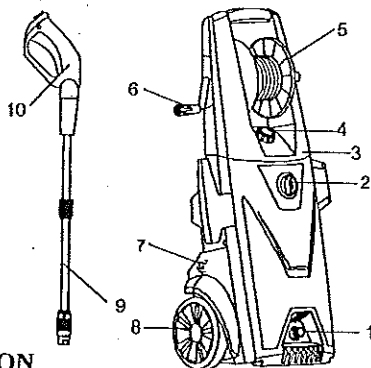


WARNING: Do not use the machine without reading the instruction sheet.

OVERVIEW

Item Description

1. Water inlet
2. On/off switch
3. High pressure washer
4. Soap bottle
5. Hose Reel with Trigger Gun Hose
6. Hose Reel Handle
7. Water outlet (backside)
8. Mobile adapter bracket with wheel
9. Adjustable Spray Wand
10. Gun



APPLICATION

THE PORTABLE PRESSURE WASHING MACHINE is a highly specialized multifunctional machine with exceptionally reliable safety assurance, which may be used to wash and clean cars, bikes and other outdoor equipment or garden patios, green houses etc.

Helpful Hints for Getting Started

Automatic ON/OFF:

The motor on this pressure washer does not run continuously. It only runs when the trigger of the spray gun is squeezed. After following the start up procedures in this manual, turn the pressure washer ON and squeeze the trigger for activation. See "Operating Instruction" section in this manual for further details.

Bleeding the Gun:

It is very important to bleed the gun before using the pressure washer. Squeeze the trigger to allow any air that is trapped inside of the unit and hose to escape. Continue to squeeze trigger until a steady stream of water comes from the nozzle. (This process may take up to 2 minutes). See "Operating Instructions" section for this process.

SAFETY REGULATIONS

WARNING: Read all the instructions before using the machine.

WARNING: This machine is not intended for use by persons (including children) with reduced physical, sensory or mental capabilities, or lack of experience and knowledge, unless they have been given supervision or instruction concerning use of the machine by a person responsible for their safety.

WARNING: The electrical supply connection shall be made by a qualified person and comply with IEC 60364-1. The electric supply to this machine should include either a residual current

device that will interrupt the supply if the leakage current to earth exceeds 30 mA for 30 ms or a device that will prove the earth circuit.

WARNING: The machine is intended to be used at a temperature above 0 degree. (Only for machine with power cord of H05VV-F).

WARNING: The operating method to be followed in the event of accident (e.g. contact with detergents: rinse with an abundance of clean water) or breakdown to prevent unsafe situations.

WARNING: This machine has been designed for use with the cleaning agent supplied or recommended by the manufacturer. The use of other cleaning agents or chemicals may adversely affect the safety of the machine.

WARNING: Recommend the operator to wear ear protectors.

WARNING: Do not use the machine within range of persons unless they wear protective clothing.

WARNING: Do not direct the jet against yourself or others in order to clean clothes or foot-wear.

WARNING: Risk of explosion-Do not spray flammable liquids.

WARNING: High pressure hoses, fittings and couplings are important for the safety of the machine. Use only hoses, fittings and couplings recommended by the manufacturer.

WARNING: To ensure machine safety, use only original spare parts from the manufacturer or approved by the manufacturer.

WARNING: Water that has flown through backflow preventers is considered to be non-potable.

WARNING: The machine shall be disconnected from its power source by removing the plug from the socket-outlet during cleaning or maintenance and when replacing the machine to another function.

WARNING: Observe a distance of at least 30cm when using the jet to clean painted surfaces to avoid damaging paintwork.

WARNING: Do not use the machine if a supply cord or important parts of the machine are damaged, e.g. safety devices, high pressure hoses, trigger gun.

WARNING: If an extension cord is used, the plug and socket must be of watertight construction.

WARNING: Inadequate extension cords can be dangerous.



The machine is not intended to be connected to the potable water mains.

WARNING: To ensure the machine safety, please only use original spare parts (including nozzle) from the manufacturer or approved by the manufacturer. Do not use the machine before you changed them if they are damaged.

WARNING: Be care of the danger of the kickback force on the spray assembly when opening the trigger gun and grasp the gun with hands firmly.

WARNING: To reduce the risk of injury, close supervision is necessary when a machine is used near children. High-pressure cleaner shall not be used by children or untrained person.

WARNING: Know how to stop the machine and bleed pressures quickly. Be thoroughly familiar with the controls.

WARNING: Stay alert and watch what you are doing.

WARNING: Do not operate the machine when fatigued or under the influence of alcohol or drugs.

WARNING: Keep operating area clear of all persons.

WARNING: Do not overreach or stand on unstable support. Keep good footing and balance at all times.

WARNING: Follow the maintenance instructions specified in the manual.

WARNING: This machine must be grounded. If it has malfunction or breakdown, grounding provides a path of least resistance for electric current to reduce the risk of electric shock. The plug must be plugged into an appropriate outlet that is properly installed and grounded in accordance with all local codes and ordinances. The rating voltage (V/Hz) of the machine has to be in compliance with the local power supplying voltage.

WARNING: Check with a qualified electrician or service personnel if you are in doubt as to whether the outlet is properly grounded. Do not modify the plug provided with the machine. If it will not fit the outlet, have a proper outlet installed by a qualified electrician. Do not use any type of adapter with this machine.

WARNING: Use only 3-wire extension cords that have 3-prong grounding-type plugs and 3-pole cord connectors that accept the plug from the machine. Use only extension cords that are intended for outdoor use and the socket must be of watertight construction. These extension cords are identified by a marking "Acceptable for use with outdoor machines; store indoors while not in use." Use only extension cords having an electrical rating not less than the rating of the machine. Do not use damaged extension cords. Examine extension cord before using and replace if damaged. Inadequate extension cords can be dangerous. Do not abuse extension cord and do not yank on any cord to disconnect. Keep cord away from heat and sharp edges. Always disconnect the extension cord from the receptacle before disconnecting the machine from the extension cord.

WARNING: To reduce the risk of electrocution, don't start and run the machine in the rain or storm. Keep all connections dry and off the ground. Do not touch plug with wet hands. It is strictly prohibited to let water leak into the machine.

WARNING: When the machine is turned on, the interior pumps start and continue to run even if the pressure wand trigger has not been depressed. Running the machine for more than 3 minutes without depressing the pressure wand trigger could cause heat damage to the motor and pumps,

Please do not leave the machine running unattended or unused for more than 3 minutes.

WARNING: When the machine is running, please maintain a constant water supply. Without water circulation will damage the sealing rings of the machine.

WARNING: It is necessary to turn on the spray lance within one or two minutes after the machine has been started. Otherwise, the temperature of the circulating water within the machine will soon rise to a critical point, which will cause damage to the sealing rings inside the machine.

WARNING: Don't start and run the machine in a place excessively cold so as to prevent the machine from the freezing current.

WARNING: This machine has been designed for only using cleaning water, do not use corrosive chemicals.

WARNING: Use cleaning agent supplied or recommend by the manufacturer.

WARNING: High-pressure jets can be dangerous if subject to misuse. The jet must not be directed at persons, animals, live electrical equipment or the machine itself. Pressure washers should not be pointed at tire walls, as it may be possible to damage them.



WARNING: Do not direct the jet against yourself or others in order to clean clothes or footwear.

WARNING: Disconnect from the electrical power supply before carrying out user maintenance. If the mains cable is damaged it must be replaced by the manufacturer, or its service agent or similarly qualified person to avoid a hazard.

WARNING: Do not use the machine if a supply cord or important parts are damaged, e.g. safety devices, high pressure hoses, trigger gun.

WARNING: Be aware of the recoil caused by the water jet when the machine is switched on.

WARNING: When the machine is moving and installing, the machine must be in flat. When moving the machine, pulling the handle to move it.

WARNING: Connect to the water supply. The machines are not suitable for connection to portable water mains. Connect the machine to the water supply. (It can be a water container). Make sure the inlet water pressure keeps between 0.01MPa and 0.4MPa. The inlet pipe should at least 5 M long. Do not use the pipe if the pipe is damaged. If you want connect this machine to portable water mains, you must install a backflow preventer in the water pipe to prevent dirty water flow back to the drinking water system. The backflow preventer shall comply with EN 60335-2-79 ANNEX AA.

OPERATING INSTRUCTIONS

This unit is to be connected to a cold water source **ONLY**

The motor of this pressure washer will **NOT** run. It will only operate when the trigger is squeezed.

- Connect the outlet hose to the washer and connect the spray gun to the outlet hose.
- Connect nozzle and nozzle extension.
- Check gauze filter is clear of any blockage.
- Connect the water supply hose.
- Check that the hose has no kinks in it.
- Turn on water and check for leaks.
- Depress trigger to allow air to be expelled through the pump and hoses, lock trigger.
- Plug in machine and turn on switch.
- Unlock trigger and use the pressure washer.

Shut down

1. Turn off the motor(push switch to the off position)
2. Unplug the unit from the power source.
3. Turn off the water supply.
4. Press the trigger of the gun to depressurize the system.
5. Disconnect the garden hose from the pressure washer.
6. Wipe all surfaces of the unit with a damp clean cloth.
7. Engage the gun safety lock.

CAUTION: ALWAYS turn off the unit's motor **BEFORE** turning off the unit's water supply. Serious damage could occur to the motor if the unit is run without water.

CAUTION: NEVER disconnect the high-pressure discharge hose from the machine while the system is still pressurized. To depressurize the unit, turn off the motor, turn off the water supply and squeeze the trigger 2-3 times.

ADJUSTABLE SPRAY NOZZLE

Turn off the spray lance first, hold the rear part of spray nozzle, then turn the front part of spray nozzle clockwise, Water may be sprayed out from the spray nozzle in fan shapes (fig 1); Turn the front part of spray nozzle withershins, Water may be sprayed out from the spray nozzle linearly (fig 2).

CAUTION: Water should be sprayed out from the spray nozzle in fan shapes (fig 2), when cleaning the car or other vehicle.

Low/High Pressure Adjustable Lance

Using High Pressure:

Please make sure the trigger released and there is not any water spraying. then turn the rear part of spray nozzle withershins (fig 4). Squeeze the trigger, the gun will spray water with high pressure.

Using low pressure:

Please make sure the trigger released and there is not any water spraying. then turn the rear part of spray nozzle clockwise (fig 3). Squeeze the trigger, the gun will spray water with low pressure.

CAUTION: Selection of high or low pressure by turning action. The selection of the pressure must be carried out with the gun in closed position.

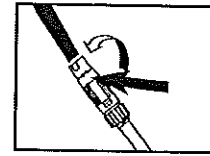


Fig 1

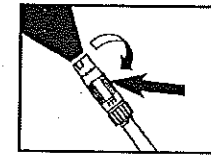


Fig 2

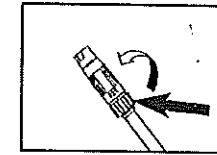


Fig 3

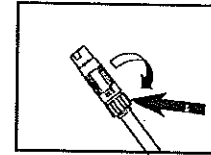


Fig 4

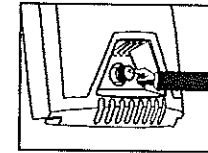


Fig 5

WATER INLET SCREEN

The water inlet filter must be inspected regularly, so as to avoid blockage and restriction in the water supply to the pump (fig 5).

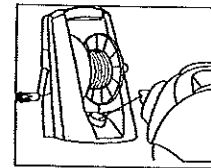


Fig 6

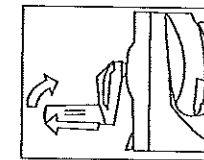


Fig 7

USING DETERGENT

Add detergent to the container. Set the Adjustable Spray Wand at low pressure position. (fig 6) Trigger gun to spray detergent.

HOSE-REEL HANDLE

The hose reel handle turns down for use and up for storage. To turn up the handle, pull out and turn up. (fig 7)

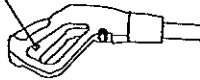
LONG TERM STORAGE

The machine should be stored in a frost-free environment.

After long-term storage without operation, it is possible to form scales inside the machine making it hard to start again. In such conditions it is recommended to turn off and disconnect the power supply and rotate the motor by hand several times so as to avoid excessive current draw on the motor and the power supply.

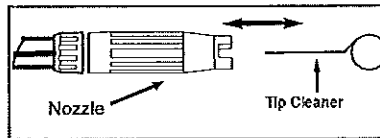
GUN SAFETY DEVICE

Whenever you use the high pressure washer, we suggest you grip the in the right position, with one hand on the handle and the other on the lance. When you stop the machine it is necessary to use the safety lock placed on the gun in order to avoid accidental.



CLEANING PIN INSTRUCTION

• Using included tip cleaner, or an unfolded paper clip, insert wire into the nozzle hole and move back and forth until debris is dislodged.



• Remove additional debris by back-flushing water through the nozzle. To do this, place end of a garden hose (with water running) to the end of nozzle for 30-60 seconds.

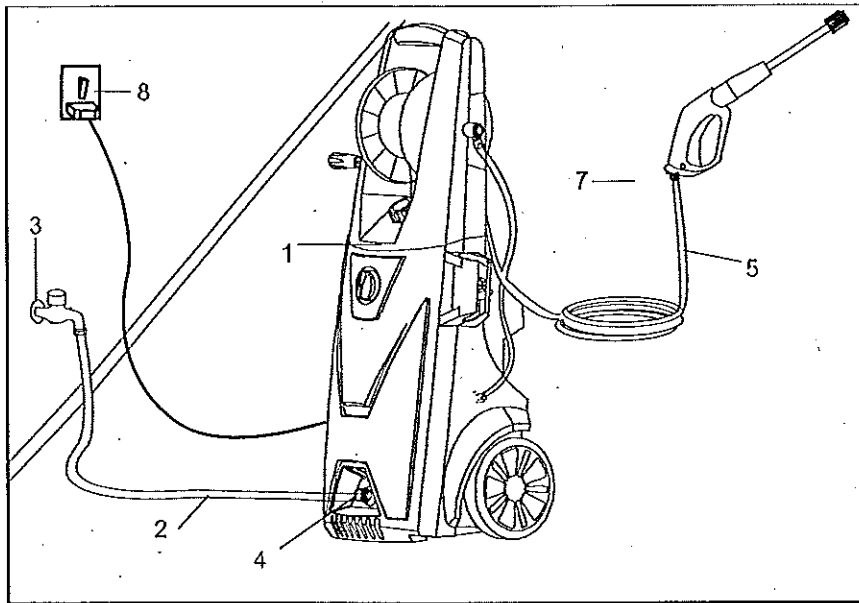
MAJOR TECHNICAL DATA

ITEM	APW-VSA-130P	APW-VSA-150P
Working pressure	13MPa(130 bar)	15MPa(150 bar)
Working flow rate	7 l/min	6.8 l/min
Max. pressure water supply	0.4MPa(4bar)	0.4MPa(4bar)
Motor Capacity	2.5 kw	3.0 kw
Power Supply Voltage	220/230/240V~50Hz	220/230/240V~50Hz
Max Water Temperature	50 °C	50 °C
Weight	22 kg	24 kg
Dimensions(CM)	100x 38 x38	100x 38 x38

POSSIBLE PROBLEM AND SOLUTION:

FAULT	PROBABLE CAUSE	REPAIR
When switched on the machine will not start working	Plug is not well connected or electric socket is faulty	Check plug, socket
	The main voltage is insufficient, lower than minimum requirement	Check that the main voltage is adequate.
	The pump is stuck.	Refer to after storage instructions.
	Thermal safety switch has tripped	Switch off the unit and let the motor cool for a few minutes Leave the lance open
Fluctuating Pressure	Pump sucking air.	Check that hoses and connections are airtight.
	Valves dirty, worn out or stuck. Pump seals worn out.	Clean and replace, or refer to dealer..
Water leaking from the pump.	Seals worn out.	Check and replace, or refer to dealer.
The motor stops suddenly.	Thermal safety switch has tripped due to overheating.	Check that the main voltage corresponds to specifications. Switch off the unit and let it cool for a few minutes.
The pump doesn't reach the necessary pressure.	Water inlet filter is clogged.	Clean the water inlet filter.
	Pump sucking air from connections or hoses.	Check that all supply connections are tight
	Suction/ delivery valves are clogged or worn out.	Check that the water feeding hose is not leaking.
	Unloaded valve is stuck.	Clear or replace valves.
	Lance nozzle incorrect or worn out.	Loosen and re-tighten regulation screw. Check and/or replace

INSTALLATION, ELECTRICAL AND WATER CONNECTIONS



- | | |
|-----------------------|-----------------------------------|
| 1. PRESSURE CLEANER | 2. WATER SUPPLY HOSE(not include) |
| 3. WATER CONNECTION | 4. WATER INLET |
| 5. HIGH PRESSURE TUBE | 6. HIGH-PRESSURE, WATER OUTLET |
| 7. SPRAY GUN | 8. POWER SUPPLY |

Note: Given continuous machines development the company reserves the right to amend machines specifications without notice.

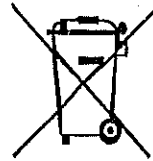
INSPECTION & MAINTENANCE

For safety use, make sure a three-month clean the machine. Before working, make sure inspect the filter and the nozzle, make sure there is no impurity. After working, make sure there is no water in the pump and the hose.

If the machine need to be repaired in the guarantee period, please return the machine to the shop. You need to provide the certificate of purchase in order to repair or get the substitute.

Before Packaging, The machine should be cleaned, then use closed packaging, packaging should be firm. Storage the machine in dry.

For transportation safety. The machine should comply with ISTA.



Meaning of crossed -out wheeled dustbin:

Do not dispose of electrical machines as unsorted municipal waste, use separate collection facilities.

Contact you local government for information regarding the collection systems available.

If electrical machines are disposed of in landfills or dumps, hazardous substances can leak into the groundwater and get into the food chain, damaging your health and well-being.

When replacing old machines with new ones, the retailer is legally obligated to take back your old machine for disposals at least free of charge.